

## Vandal Resistant Series

### Small Vandal Resistant Fixture



VN20

**Housing:**

White powdercoat steel pan, incandescent model includes foil reflector & fiber pad

**Lens:**

Clear Prismatic Polycarbonate Lens

**Socket:**

VN20F13: PL: Plug-in type, GX23-2

VN20I75: Porcelain 4KV pulse rated medium base socket with nickel plated screw shell

**Mounting:**

Mount directly over a recessed electrical box

**Wattage:**

Compact Fluorescent: 1 x 13w

Incandescent: 75w

**Listing & Ratings:**

CSA: Listed for wet locations, covered ceiling mount only

Lamp not included with incandescent model.

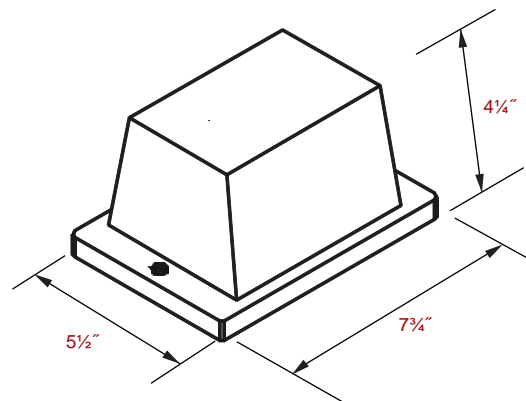
Complete Units (Lamps Included)

Catalog #	Wattage	Voltage	Lamp	Ballast
VN20F13	1 x 13	120	PL	Magnetic
VN20I75*	1 x 75	120	Incandescent	None

\*Lamp not included with incandescent model

VR

Dimensions



VN20

VR-3

**QSSI**

Phone: (813) 855-9416

Fax: (813) 854-2915

Email: sales@qssi.com

Catalog #	Description
VN20PC	Clear Polycarbonate Replacement Lens
VN20PW	White Polycarbonate Replacement Lens

### Vandal Resistant Series

#### Small Vandal Resistant Fixture



VN20PC



VN20PW

VR

VR-4

**QSSI**  
12802 Commodity Place  
Tampa, FL 33626  
[www.qssi.com](http://www.qssi.com)