

Vandal Resistant Series

Medium Vandal Resistant Fixture Fluorescent & Incandescent



VN30I75,
VN30F

Housing:

VN30F: White powdercoat steel pan

VN30I75: White powdercoat steel pan with foil reflector & fiber pad

Lens:

Clear prismatic polycarbonate lens

Socket:

VN30F: Plug-in type, GX23/GX23-2

VN30I75: Porcelain 4KV pulse rated medium base socket with nickel plated screw shell

Mounting:

Mount directly over a recessed electrical box

Wattage:

Incandescent: 75w

Compact Fluorescent: 2 x 9 to 13w

Listing & Ratings:

CSA: Listed for wet locations, covered ceiling mount only

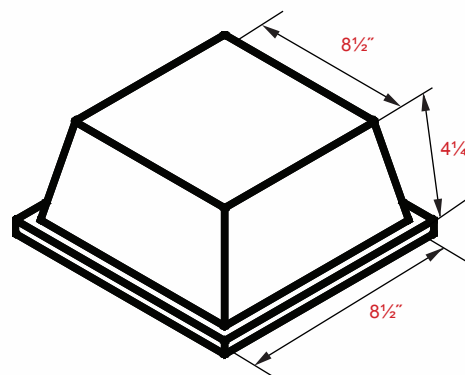
Lamp not included with incandescent model

Kits				
Catalog #	Description			
VN30F	Medium Vandal Resistant, Twin PL Kit			
VN30I	Medium Vandal Resistant, Single Incandescent Kit			
Complete Units (Lamps Included)				
Catalog #	Wattage	Voltage	Lamp	Ballast
VN30F18	2 x 9	120	PL	Magnetic
VN30F26	2 x 13	120	PL	Magnetic
VN30I75*	1 x 75	120	Incandescent	None

*Lamp not included with incandescent model

VN

Dimensions



VN30I75,
VN30F

QSSI

Phone: (813) 855-9416

Fax: (813) 854-2915

Email: sales@qssi.com

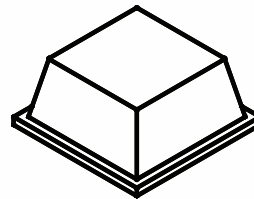
VN-7



Catalog #	Description
VN30PC	Clear Polycarbonate Replacement Lens
VN30PW	White Polycarbonate Replacement Lens

Vandal Resistant Series

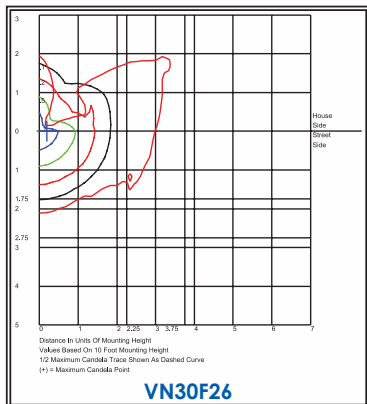
Medium Vandal Resistant Fixture Fluorescent & Incandescent



VN30PC,
VN30PW

VN

Photometrics



QSSI
 12802 Commodity Place
 Tampa, FL 33626
www.qssi.com

VN-8