

Vandal Resistant Series

Large Vandal Resistant Fixture Fluorescent & Incandescent



VN40I120, VN40F

Housing:

VN40F: White powdercoat steel pan

VN40I120: White powdercoat steel pan with foil reflector & fiber pad

Lens:

Clear prismatic polycarbonate lens

Socket:

VN40I120: Porcelain 4KV pulse rated medium base socket with nickel plated screw shell

VN40F: PL: Plug-in type, GX23-2

Mounting:

Mount directly over a recessed electrical box

Wattage:

Incandescent: 2 x 60w

Compact Fluorescent: 2 x 13 to 26w

Listing & Ratings:

CSA: Listed for wet locations, covered ceiling mount only

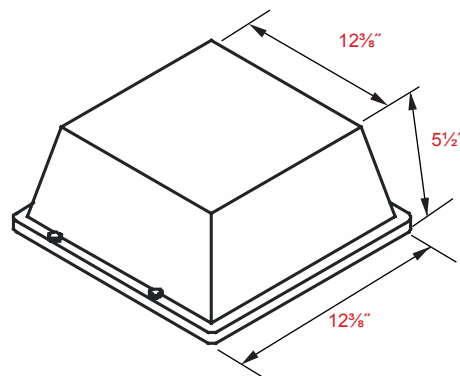
Lamp not included with incandescent model

Kits				
Catalog #	Description			
VN40F	Large Vandal Resistant, Twin PL Kit			
VN40I	Large Vandal Resistant, Twin Incandescent Kit			
Complete Units (Lamps Included)				
Catalog #	Wattage	Voltage	Lamp	Ballast
VN40I120*	2 x 60	120	Incandescent	None
VN40F26	2 x 13	120	PL	Magnetic
VN40F52EL	2 x 26	120-277	PL	Electronic

*Lamp not included with incandescent model

VN

Dimensions



VN40F, VN40HF

VN-13

QSSI

Phone: (813) 855-9416

Fax: (813) 854-2915

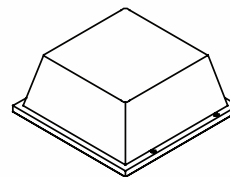
Email: sales@qssi.com



Catalog #	Description
VN40PC	Clear Prismatic Polycarbonate Lens
VN40PW	White Prismatic Polycarbonate Lens
VN40SPG	Steel Pan with Gasket

Vandal Resistant Series

Large Vandal Resistant Fixture Fluorescent & Incandescent



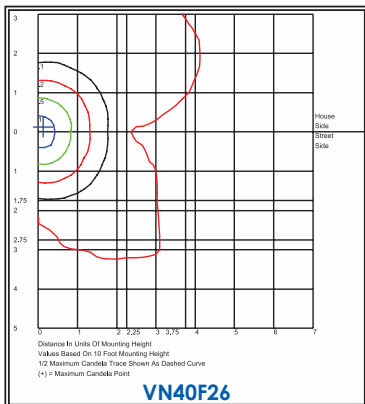
VN40PC, VN40PCW



VN40SPG

VN

Photometrics



VN-14

QSSI
12802 Commodity Place
Tampa, FL 33626
www.qssi.com