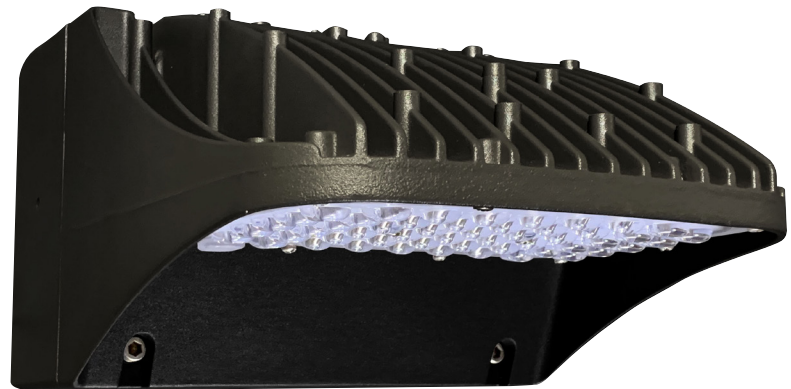


The QSSI WPC44Q Small PowerPack full cutoff wall luminaire is available in five wattages with a specially designed Type IV wide forward throw optical distribution that is designed to replace HID lighting systems of up to 175W MH or HPS. Typical wall mounted lighting applications include retail centers, industrial parks, schools and universities, public transit and airports, office buildings and medical facilities. Mounting heights of 12 to 25 feet can be used based on light level and uniformity requirements.

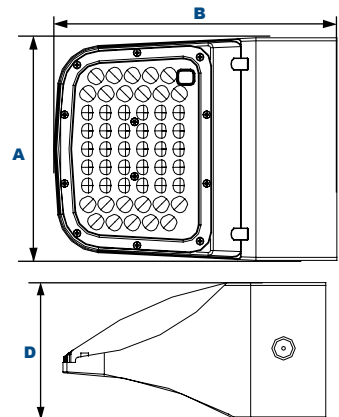
Specifications and Features:

Housing:	Die Cast Aluminum Housing with Full Cutoff Front Frame, Integral Heat Sinking and Driver Compartment. Twist-Lock Photocell/Smart Controls Adaptable. Nickel-Plated Stainless Steel Hardware.
Listing & Ratings:	ETL: Listed for Wet Locations, ANSI/UL 1598, 8750 IP66 Sealed LED Compartment.
Finish:	Textured Architectural Powdercoat Finish Over a Chromate Conversion Coating. Custom Colors Available Upon Request.
Lens:	Clear One-Piece Molded Type IV UV-Stabilized Polycarbonate Lens.
Mounting Options:	Mount Directly Over a 4" Recessed Outlet Box, Includes Easy-Hang "Two Hands Free" Wall Mounting Bracket with Built-In Level. Optional Trim Plate is Available for Use in Retrofit Applications to Cover Wall Surface Blemishes.
EasyLED LED:	Aluminum Boards
Wattage:	17w: Array: 16.57w, System: 19.4w (100w HID Equivalent) 25w: Array: 24.9w, System: 28.4w (100w HID Equivalent) 37w: Array: 37.3w, System: 41.8w (175w HID Equivalent) 47w: Array: 46.6w, System: 50.3w (175w HID Equivalent) 68w: Array: 68.4w, System: 73.2w (175w HID Equivalent) 81w: Array: 80.8w, System: 83.7w (175w HID Equivalent)
Driver:	Electronic Driver, 120-277V, 50/60Hz or 347-480V, 50/60Hz; Less Than 20% THD and PF>0.90. Standard Internal Surge Protection is 2kV for 25w, 6kV for 37 through 81w. 0-10V Dimming Standard for a Dimming Range of 100% to 10%; Dimming Source Current is 150 Microamps.
Controls:	Fixtures Ordered with Factory-Installed Photocell or Motion Sensor Controls are Internally Wired for Switching and/or 1-10V Dimming Within the Housing. Remote Direct Wired Interface of 1-10V Dimming is Not Implied and May Not Be Available, Please Consult Factory. Fixtures are Tested with QSSI Controls and May Not Function Properly With Controls Supplied By Others. Fixtures are NOT Designed for Use with Line Voltage Dimmers.
Warranty:	5-Year Warranty for -40°C to +50°C Environment.

See Page 3 for Projected Lumen Maintenance Table.



L70 646,000 Hours
25°C



Dimensions

Width (A)	8 3/4" (220mm)
Length (B)	11" (280mm)
Height 2 (D)	5 3/4" (146mm)

Certification & Listings:



DesignLights Consortium™
Qualified Luminaires:
WPC44QD1X25U[4K 5K]C**
WPC44QD1X37U[4K 5K]C**
WPC44QD1X47U[4K 5K]C**
WPC44QD1X68U[4K 5K]C**
WPC44QD1X81U[4K 5K]C**



WPC44Q	D				C		
Model	Optics	Wattage	Driver	CCT	Lens	Color	Options
WPC44Q= EasyLED Small PowerPack Full Cutoff Wall Mount	D=Type IV	1X17=17w 1X25=25w 1X37=37w 1X47=47w 1X68=68w 1X81=81w	U=120-277V H=347-480V	3K=3000K 4K=4000K 5K=5000K	C=Clear Molded UV-Stabilized Polycarbonate Lens	Z=Bronze B=Black W=White G=Gray C=Custom (Consult Factory)	SF=Single Fuse* DF=Double Fuse* SP=Surge Protection R3=3-Pin Twist Lock Photocell Receptacle R5=5-Pin Twist Lock Photocell Receptacle PC3=Photocell, 120-277VAC S23=Internal Microwave Sensor with Dimming for Mounting Heights of 25' or Less.* S43=Microwave On/Off Motion Sensor for Mounting Heights of 8' to 19'.* BU=Battery Backup, 90 Minutes (17w, 25w, 37w & 81w)* BUC=Cold Start Battery Backup, -20°C, 90 Minutes (17w, 25w, 37w & 81w)* *120-277V Models Only.

Order Information Example:

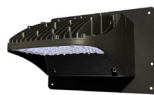
WPC44QD1X81U5KCZSP

Accessories & Replacement Parts:

Accessories (Order Separately, Field Installed)

P18131	Twist Lock Non-Shorting (Open) Cap Disconnects Service to Fixture for Temporary or Permanent Disabling (Fixture Always Off). IP65, 480V Maximum.
P18132	Twist Lock Shorting Cap Provides Fixed Service to Fixture (Fixture Always on). IP65, Rated Load 7200w Tungsten.
P18140	110-120VAC Instant Twist Lock Photocell
P18152	277VAC Time Delay Twist Lock Photocell
P18156	120-277VAC Universal Twist Lock Photocell
WPC44TP* Aluminum Two-Piece Trim Plate, Powdercoat Finish, 13"W x 9"H	

*Specify Color: Z=Bronze, B=Black, W=White, G=Gray, C=Custom (Consult Factory)



WPC44TP*

*Shown Mounted.

Replacement Parts (Order Separately, Field Installed)

ACCHSG3	Bronze UV-Stabilized Polycarbonate Housing for Installing Sensors, Includes Sensor Bracket and Gasket.
P18103	120-277VAC Photocell
P17117	Internal Microwave Sensor with Dimming for Mounting Heights of 8 to 40'. 120-277VAC, 50/60Hz.
P17123	Internally Mounted Microwave On/Off Motion Sensor for Mounting Heights of 8' to 19', 120-277VAC, 50/60Hz

For Replacement Battery Backup, see the QSSI LED Battery Backup Specification Sheet.



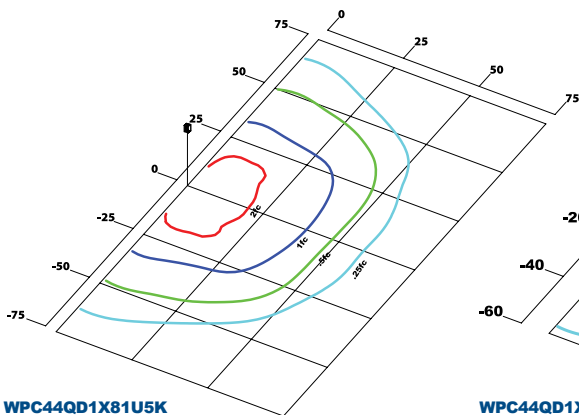
ACCHSG3

P18103

P17117

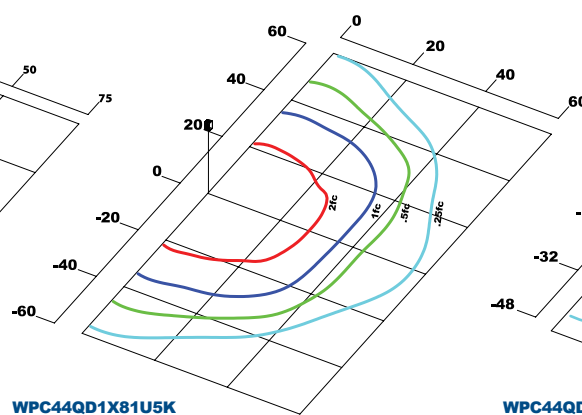
P17123

Photometric Data



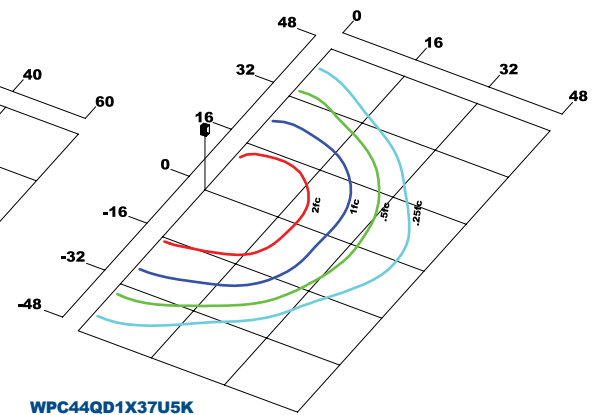
WPC44QD1X81U5K

Type IV
Grid in MH
MH=25 Feet



WPC44QD1X81U5K

Type IV
Grid in MH
MH=20 Feet



WPC44QD1X37U5K

Type IV
Grid in MH
MH=16 Feet

Photometric Performance

LED Board Watts	Drive Current (mA)	Input Watts	Optics	5000 CCT 80 CRI				4000 CCT 80 CRI				3000 CCT 80 CRI						
				Lumens	LPW	B	U	G	Lumens	LPW	B	U	G	Lumens	LPW	B	U	G
EasyLED 17w	525	19	Type IV	2,326	120	1	0	1	2,140	112	1	0	1	2,151	111	1	0	1
EasyLED 25w		28		3,424	122	1	1	1	3,151	113	1	1	1	3,167	113	1	1	1
EasyLED 37w		42		4,604	110	1	1	1	4,459	106	1	1	1	4,259	101	1	1	1
EasyLED 47w		50		5,543	111	1	1	1	5,493	110	1	1	1	5,127	103	1	1	1
EasyLED 68w		73		8,237	113	2	1	2	8,066	110	2	1	2	7,619	104	2	1	2
EasyLED 81w		84		9,278	110	2	1	2	9,166	109	2	1	2	8,582	102	2	1	2

Projected Lumen Maintenance

Data shown for 5000 CCT TM-21-11	Input Watts	Compare to MH				Calculated LED Life
		Initial	25,000 Hrs	50,000 Hrs	100,000 Hrs	
L70 Lumen Maintenance @ 25°C / 77°F	All wattages up to and including 84w	1.00	0.99	0.98	0.95	646,000
L70 Lumen Maintenance @ 50°C / 122°F		1.00	0.98	0.97	0.93	455,000
L80 Lumen Maintenance @ 40°C / 104°F		1.00	0.98	0.97	0.94	320,000

NOTES:
 1. Projected per IESNA TM-21-11. Data references the extrapolated performance projections for the base model in a 25°C ambient, based on 10,000 hours of LED testing per IESNA LM-80-08.
 2. Compare to MH box indicates suggested Light Loss Factor (LLF) to be used when comparing to Metal Halide (MH) systems.